

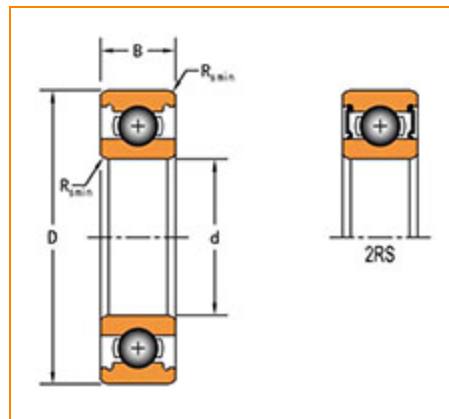
**TIMKEN**

The Timken Company  
4500 Mt Pleasant St. NW  
N. Canton, OH 44720  
Phone: (234) 262-3000

E-Mail: [CustomerCAD@timken.com](mailto:CustomerCAD@timken.com) • Web site: [www.timken.com](http://www.timken.com)

## Part Number 61804-2RS-C3, Thin Section Ball Bearings (61700, 61800, 61900)

Timken's deep groove ball bearings deliver reliable performance in a wide range of applications and conditions. With super-finished raceways and controlled geometries, our premium design helps ensure consistent quality.



[Specifications](#) | [Dimensions](#) | [Basic Load Ratings](#) | [Factors](#)

### Specifications

|             |               |
|-------------|---------------|
| Clearance   | C3            |
| Bore Size d | 20.000 mm     |
| Features    | Contact Seals |
| Weight      | 0.016 Kg      |

### Dimensions

|                           |           |
|---------------------------|-----------|
| Outside Diameter D        | 32.000 mm |
| Outside Ring Width B      | 7.000 mm  |
| Radius R <sub>s</sub> min | 0.300 mm  |

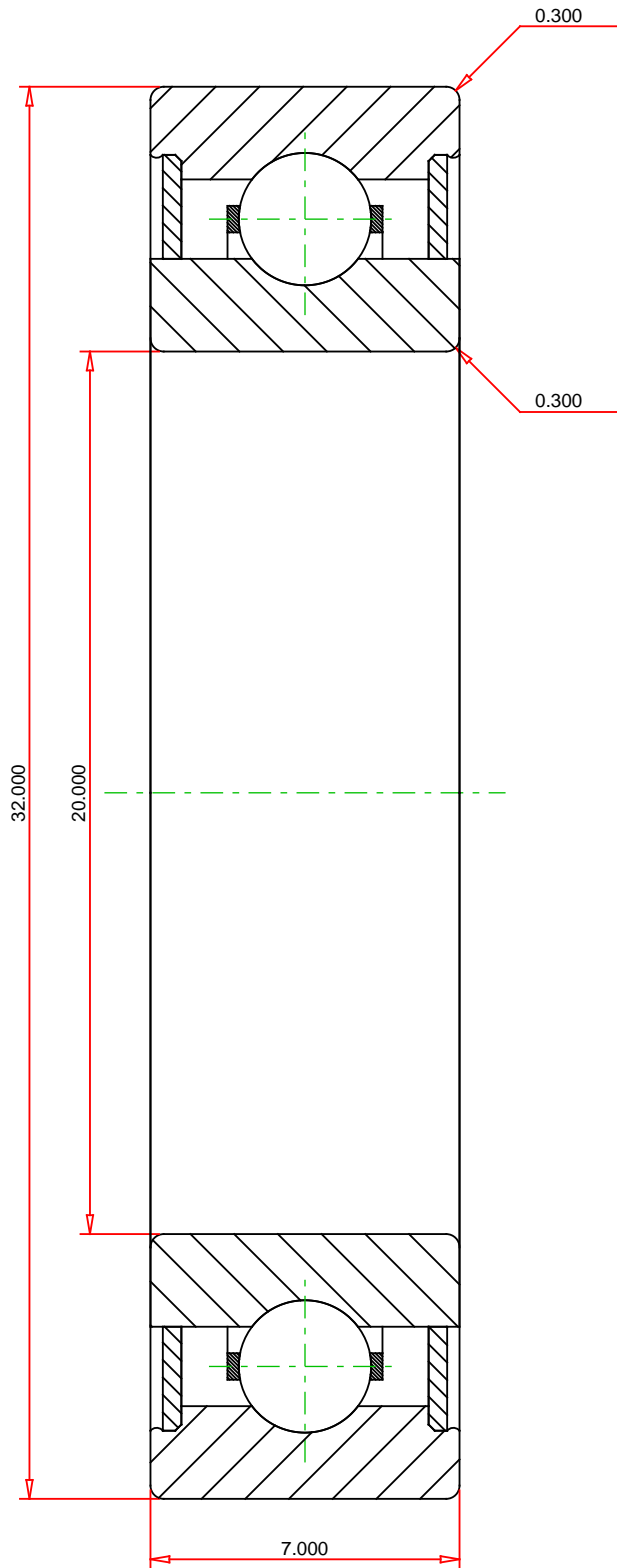


## Basic Load Ratings

|                          |        |
|--------------------------|--------|
| Cr - Dynamic Load Rating | 4 kN   |
| C0r - Static Load Rating | 2.5 kN |

## Factors

|                       |           |
|-----------------------|-----------|
| Grease Limiting Speed | 21000 rpm |
| Oil Limiting Speed    | 25000 rpm |



METRIC UNITS

Weight 0.016 kg

**TIMKEN**®

**THE TIMKEN COMPANY**  
NORTH CANTON, OHIO USA

**61804-2RS-C3**  
Thin Section Ball Bearings (61700, 61800, 61900)

Dynamic Load Rating 4000 N  
Static Load Rating 2500 N

Every reasonable effort has been made to ensure the accuracy of the information contained in this writing, but no liability is accepted for errors, omissions or for any other reason.

**FOR DISCUSSION ONLY**